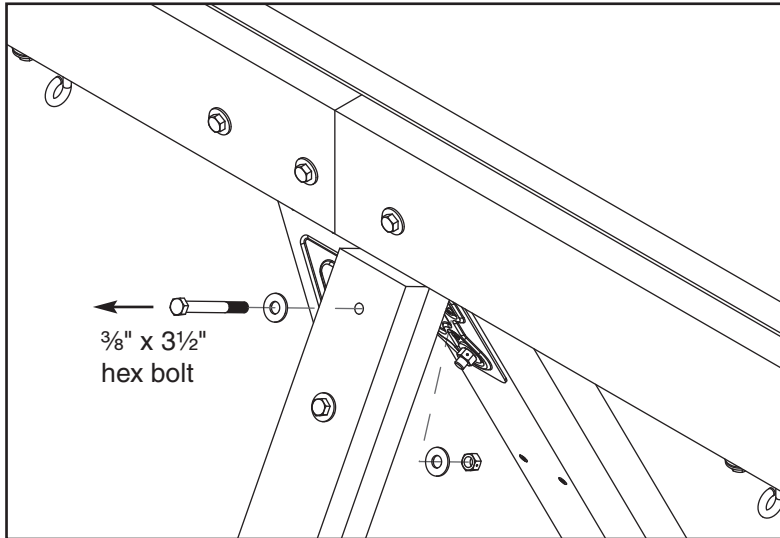


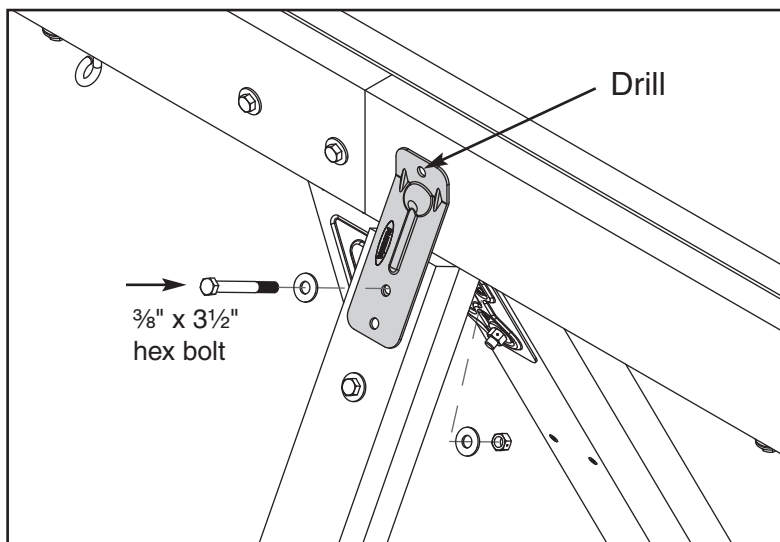
STURDY-FRAME BRACE INSTALLATION



STEP 24:

Remove the top 3/8" x 3 1/2" hex bolt, washers and lock nut from the post support as shown. (Save these parts because they will be used in the next step.)

NOTE: *It is easiest to remove this bolt by continuing to rotate in a counterclockwise direction.*

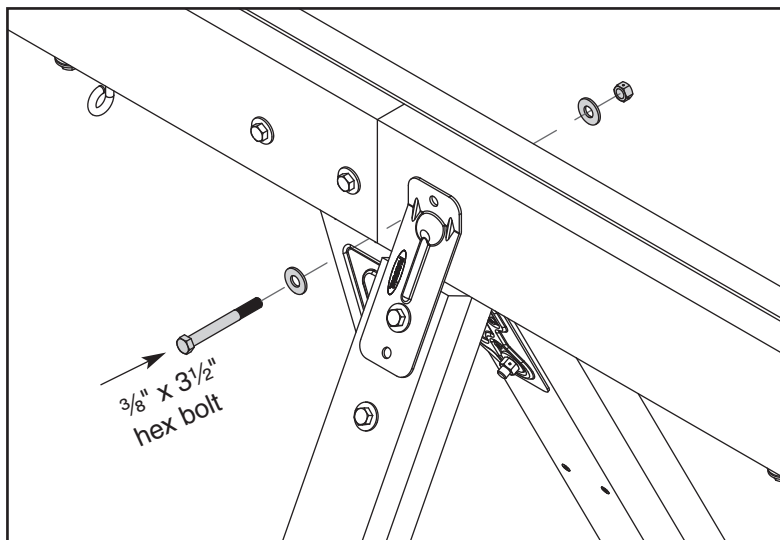


Items for STEP 25:

- (1) Sturdy-Frame Brace
 - (1) 3 1/2" hex bolt
 - (2) 3/8" washers
 - (1) 3/8" lock nut
- } *Removed on previous step*

Install the Sturdy-Frame Brace as shown and secure with 3/8" x 3 1/2" hex bolt, washers and lock nut removed in previous step.

Make sure brace is square to beam. Using the brace as a template, drill a 3/8" hole completely through the beam.



Items for STEP 26:

- (1) 3 1/2" hex bolt
- (2) 3/8" washers
- (1) 3/8" lock nut

Secure the Sturdy-Frame Brace to the beam with the 3/8" x 3 1/2" hex bolt, washers and lock nut.