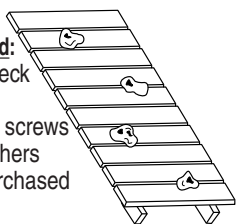


# Large Climbing Rocks

PS 7830

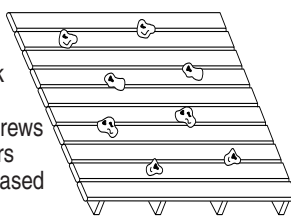
## 30" Wide Climbing Rock Incline

**Materials Required:**  
 (52) #8 x 2 1/2" deck screws  
 (2) 3/8" x 3" lag screws  
 (2) 3/8" flat washers  
 Lumber Purchased Separately



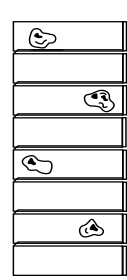
## 60" Wide Climbing Rock Incline

**Materials Required:**  
 (104) #8 x 2 1/2" deck screws  
 (2) 3/8" x 3" lag screws  
 (2) 3/8" flat washers  
 Lumber Purchased Separately



## 30" Wide Climbing Rock Vertical Wall

**Materials Required:**  
 (80) #8 x 2 1/2" deck screws  
 Lumber Purchased Separately



## INSTALLATION INSTRUCTIONS FOR ALL 3 STYLES

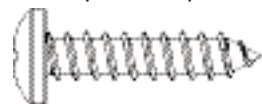
Lumber is included in PlayStar project if purchased as a featured component.

**IMPORTANT:** Before starting to build your Climbing Rock Wall, make sure all boards are cut and identified by size and name. (To avoid marks on lumber, use masking tape or chalk.) This will improve your building time greatly because you will know the size and name of each board as the instructions call for them.

**Tools Required:** Drill, 1/8" & 1/4" Drill Bit, Tape Measure, Saw, Hammer, Phillips Screwdriver, Socket Wrench, 3/16" Socket, Chalk, Pencil, Square, Safety Glasses, Tape, 3/4" Spade Bit

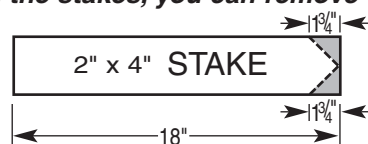
**Hardware Included:** (8) #14 x 1 1/4" Pan Head Screws

1. Using a scrap of wood between the end of the stake and the hammer will reduce the likelihood of the end of the stake splitting.



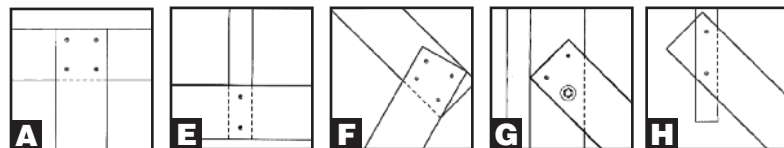
2. If soil conditions permit stakes to be pulled out easily, such as in sandy soil conditions, cementing is required. If your ground is too hard to pound in the stakes, you can remove the earth with a shovel. Install the stakes and compact the earth as you replace it. Stakes must be placed below the level of the shock-absorbing surfacing material to prevent tripping or injury resulting from a fall.

3. For stake angle cut, measure 1 3/4" from straight cut. Draw a line from measurement to center of straight cut.



4. For Detail of Screw Placement

Pre-drill –  
 1/8" Dia. for #8 x 2 1/2" deck screws  
 1/4" Dia. for 3/8" x 3" lag screws



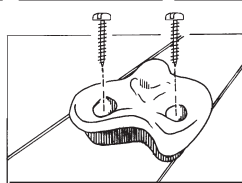
5. To install rocks (PS 7830):

A. Position rocks at desired location.

B. Mark pilot holes with pencil.

C. Pre-drill 1/8" dia. holes 1" deep.

D. Secure each rock with two #14 x 1 1/4" pan head screws provided.

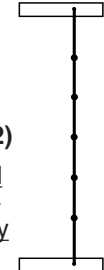


## Mounting Optional Climbing Rope (PS 7828)

1. Drill a 3/4" hole in the center of top and bottom boards.
2. Tie five knots, equally spaced, for climbing grips. (Fig. 1)
3. Insert rope through top hole and tie a knot with 4" remaining.
4. Insert opposite end through bottom hole, pull tight and tie a knot while keeping rope snug.
5. Secure both ends with staples provided (2 each end). (Fig. 2)

**Note:** If you do not have a bottom board, rope must be anchored to ground, using one Playset Anchor PS 7690. Tie rope to Quick-Link Connector and place through top of anchor. Tighten securely with an adjustable wrench. (Fig. 3)

Fig. 1 front view



back view

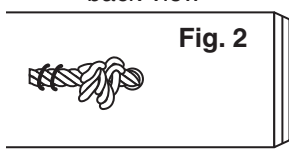


Fig. 3



## 30" WIDE INCLINE

### 5/4" x 6" x 10' – one (1) board required

Board 1	30"	30"	30"	30"
	Wall Decking	Wall Decking	Wall Decking	Wall Decking

### 5/4" x 6" x 8' – two (2) boards required

Boards 1 - 2	30"	30"	30"
	Wall Decking	Wall Decking	Wall Decking

### 2" x 4" x 8' – two (2) boards required

Boards 1 - 2	60"	18"
	Wall Support	Stake

1. Install two 2" x 4" x 60" wall supports to 4" x 4" tower posts. Position the wall supports under the deck side board so the ends are flush with the rear edge of the 4" x 4"s (opposite ends resting on the ground as shown). Secure with two #8 x 2 1/2" deck screws and one 3/8" x 3" lag screw with washer each side. (Fig.1)
2. Install two 2" x 4" x 18" ground stakes at the bottom of wall supports as shown (outside dimension of wall supports will be 23"). Drive them into the ground as shown. Secure with four #8 x 2 1/2" deck screws each. (Fig.1)

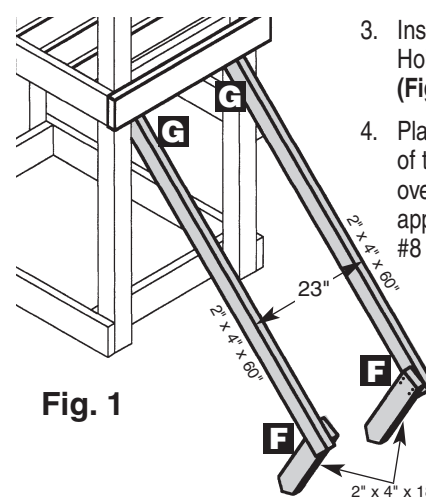


Fig. 1

3. Install ten 5/4" x 6" x 30" wall decking. Hold wall supports at dimension shown. (Fig. 2)
4. Place first board tight against the bottom of the deck side board with equal overhang on both sides of wall supports, approximately 3 1/2". Secure with four #8 x 2 1/2" deck screws. (Fig. 2)
5. Install next board tight against first, keeping 23" measurement. Secure with four #8 x 2 1/2" deck screws. (Fig. 2)
6. Repeat for remaining boards. (Fig. 2)
7. Install Rocks.

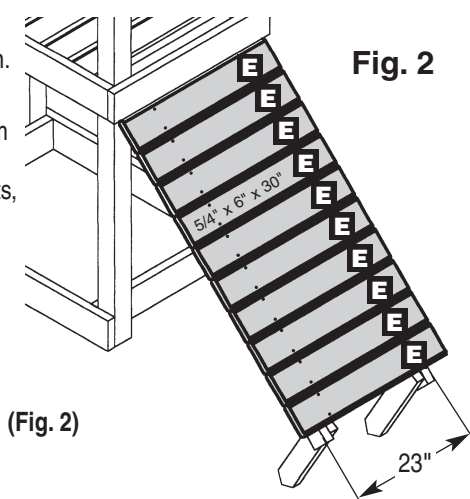


Fig. 2

## 60" WIDE INCLINE

### 5/4" x 6" x 10' – five (5) boards required

Boards 1 - 5	60"	60"
	Wall Decking	Wall Decking

### 2" x 4" x 10' – one (1) board required

Board 1	60"	60"
	Wall Support	Wall Support

### 2" x 4" x 8' – two (2) boards required

Boards 1 - 2	60"	18"	8"
	Wall Support	Stake	Block

1. Install two 2" x 4" x 8" blocks 19" from inside of 4" x 4" posts as shown. Secure with four #8 x 2 1/2" deck screws each. (Fig.1)
2. Install two 2" x 4" x 60" wall supports to 4" x 4" tower posts. Position the wall supports under the deck side board so the ends are flush with the rear edge of the 4" x 4"s (opposite ends resting on the ground). Secure with two #8 x 2 1/2" deck screws and one 3/8" x 3" lag screw with washer each side. (Fig.1)
3. Install two 2" x 4" x 18" ground stakes to wall supports as shown (outside dimension must be 53"). Drive them into the ground as shown. Secure with four #8 x 2 1/2" deck screws each. (Fig.1)
4. Install two 2" x 4" x 60" wall supports to the 2" x 4" x 8" blocks. Position the wall supports under the deck side board so the end is in line with the two outer wall supports. Secure with two #8 x 2 1/2" deck screws per board. (Fig.1)

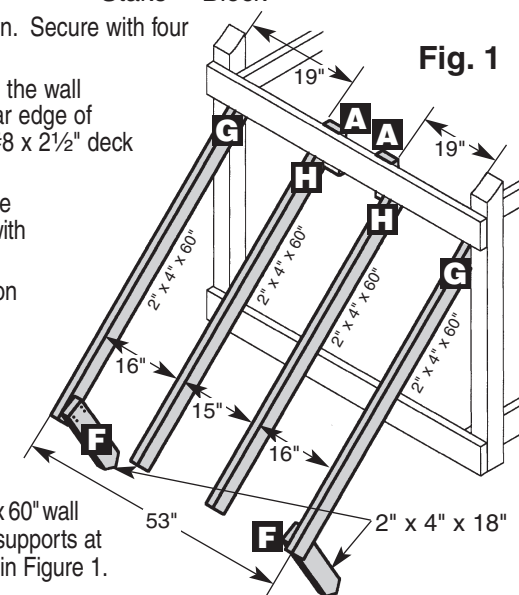


Fig. 1

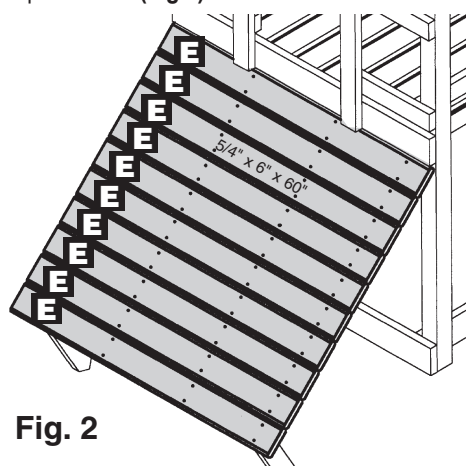


Fig. 2

5. Install ten 5/4" x 6" x 60" wall decking. Hold wall supports at dimensions shown in Figure 1.
6. Place first board tight against the bottom of the deck side board with equal overhang on both sides of wall support, approximately 3 1/2". Secure with eight #8 x 2 1/2" deck screws. (Fig. 2)
7. Install next board tight against first, keeping measurements shown in Fig. 1. Secure with eight #8 x 2 1/2" deck screws. (Fig. 2)
8. Repeat for remaining boards. (Fig. 2)
9. Install Rocks.

## 30" WIDE VERTICAL WALL

### 5/4" x 6" x 10' – two (2) boards required

Boards 1 - 2	30"	30"	30"	30"
	Wall Panel	Wall Panel	Wall Panel	Wall Panel

### 2" x 4" x 8' – one (1) board required

Board 1	48"	48"
	Vertical Rail	Vertical Rail

1. Install two 2" x 4" x 48" vertical rails at dimensions shown. Secure to base and deck support using eight #8 x 2 1/2" deck screws per board. (Fig.1)

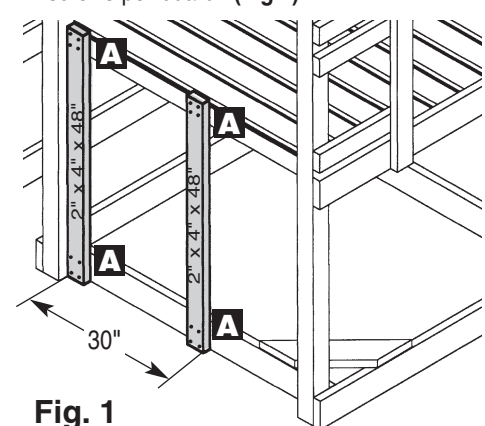


Fig. 1

2. Install eight 5/4" x 6" x 30" wall panels. (Fig. 2)
3. Place first board flush with top of decking. Secure with eight #8 x 2 1/2" deck screws. (Fig. 2)
4. Install next board tight against first. Secure with eight #8 x 2 1/2" deck screws. (Fig. 2)
5. Repeat for the remaining boards. (Fig. 2)
6. Install Rocks.

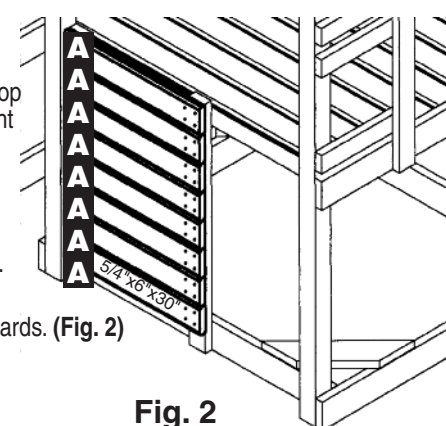


Fig. 2

PlayStar, Inc., PO Box 1777  
 Janesville, WI 53547  
 Patent Nos. US 6,540,645;  
 US 6,709,365 & US 6,942,600  
 © 2008, 2004, 1999 PlayStar, Inc.  
 Large Climbing Rocks PS 7830

