

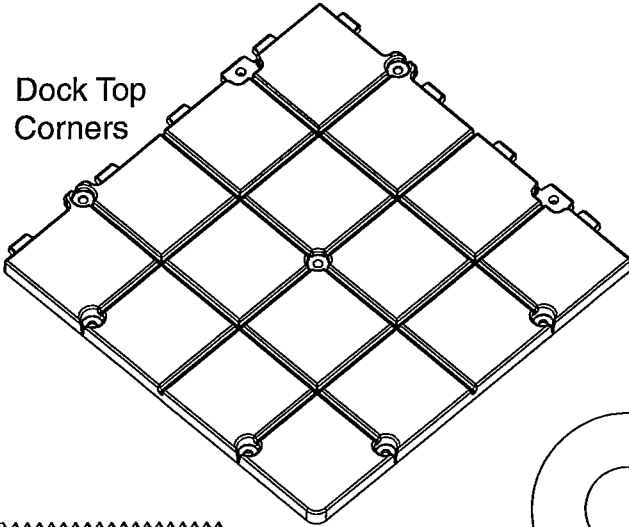


# RESIN DOCK TOP

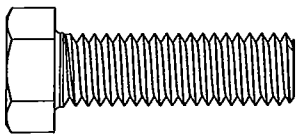
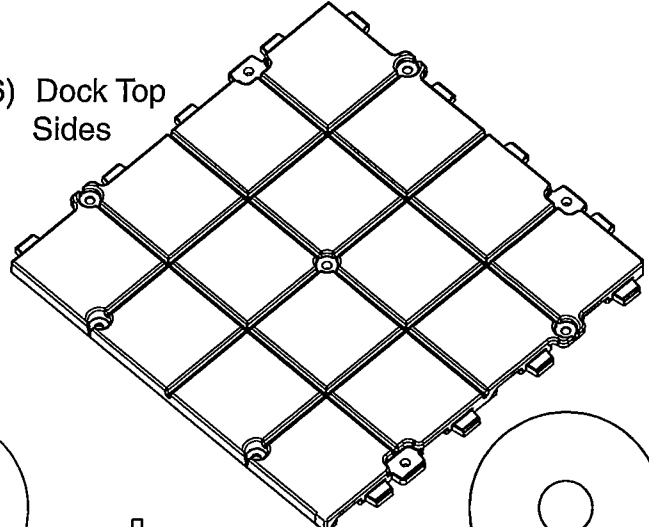
## Quick Reference Guide

The Resin Dock Top fits all PlayStar 4' x 10' Dock Frames.

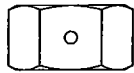
(4) Dock Top  
Corners



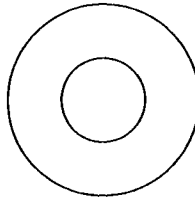
(6) Dock Top  
Sides



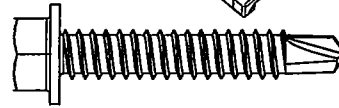
(20) 3/8" x 1 1/4"  
Hex Bolts



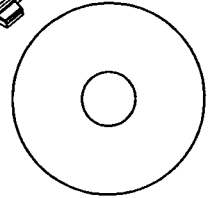
(20) 3/8"  
Lock Nuts



(40) 3/8"  
Washers



(48) 1/4" x 1 1/2"  
Self Drilling Hex Screw



(48) 1/4"  
Fender Washer

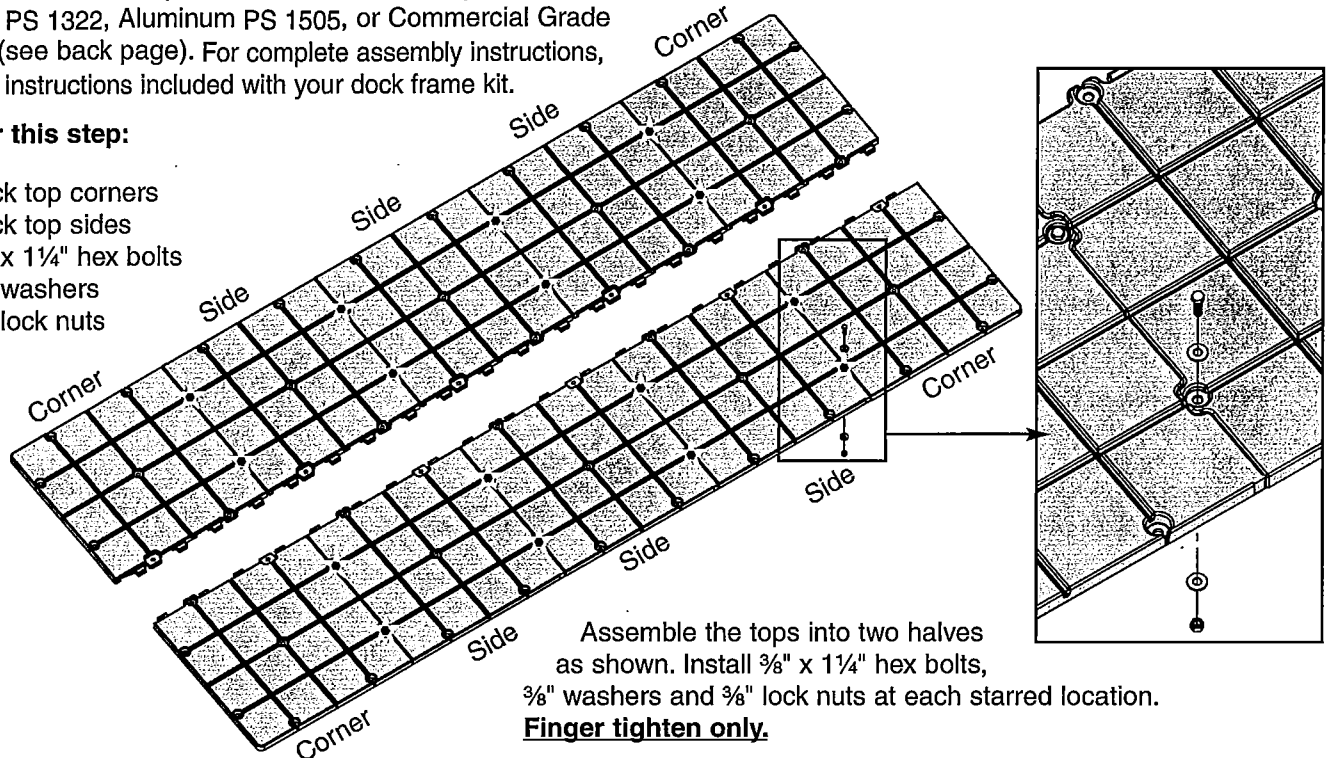
Note: Depending on which frame you are attaching to, some hardware may not be used and some hardware is supplied with your Dock Frame Kit.

### Quick Reference Instructions

Complete this step regardless of which frame you have. Then follow the quick reference mounting instructions specific to the dock frame you are attaching to: Premium PS 1322, Aluminum PS 1505, or Commercial Grade PS 1005 (see back page). For complete assembly instructions, follow the instructions included with your dock frame kit.

#### Items for this step:

- (4) dock top corners
- (6) dock top sides
- (16) 3/8" x 1 1/4" hex bolts
- (32) 3/8" washers
- (16) 3/8" lock nuts

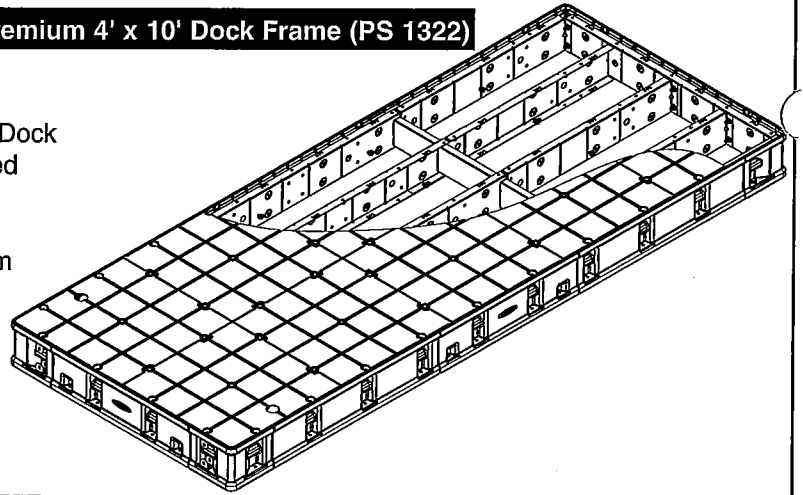


Assemble the tops into two halves as shown. Install 3/8" x 1 1/4" hex bolts, 3/8" washers and 3/8" lock nuts at each starred location. **Finger tighten only.**

### Quick Reference Mounting Instructions For Premium 4' x 10' Dock Frame (PS 1322)

Mounting hardware is supplied with the Premium Dock Frame (PS 1322). Refer to the instructions included with your dock frame kit.

Once Dock Top is secure, tighten all hex bolts from previous step.



### Quick Reference Mounting Instructions For Aluminum 4' x 10' Dock Frame (PS 1505)

Mounting hardware needed: (included in PS 1320 Resin Dock Top)

- (4)  $\frac{3}{8}$ " x  $1\frac{1}{4}$ " hex bolts
- (8)  $\frac{3}{8}$ " flat washers
- (4)  $\frac{3}{8}$ " lock nuts
- (44)  $\frac{1}{4}$ " x  $1\frac{1}{2}$ " self drilling hex screws
- (44)  $\frac{1}{4}$ " fender washers

Position the two assembled halves together and center on the frame as shown.

**Finger tighten**  $\frac{3}{8}$ " x  $1\frac{1}{4}$ " hex bolts,  $\frac{3}{8}$ " flat washers, and  $\frac{3}{8}$ " lock nuts at each circled location. **Fig. 1**

Beginning with the exterior holes, secure with  $\frac{1}{4}$ " x  $1\frac{1}{2}$ " self drilling hex screws and fender washers. **Fig. 2 Do not over tighten.**

Once Dock Top is secure, tighten all hex bolts from previous step.

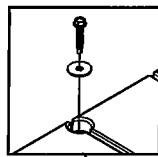


Fig. 2

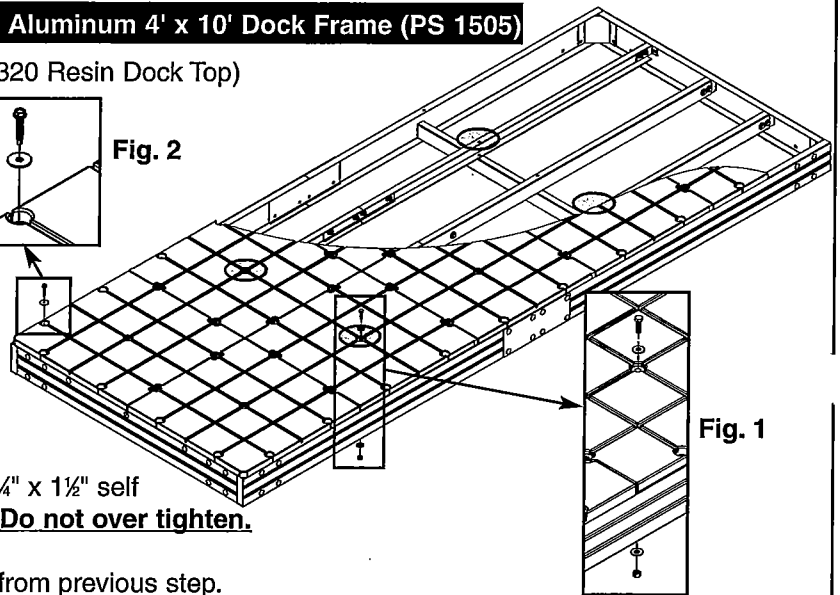


Fig. 1

### Quick Reference Mounting Instructions For Commercial Grade 4' x 10' Dock Frame (PS 1005)

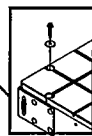
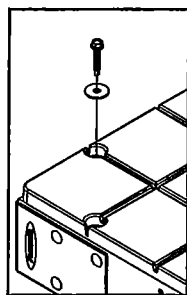
Mounting hardware needed: (included in PS 1320 Resin Dock Top)

- (48)  $\frac{1}{4}$ " x  $1\frac{1}{2}$ " self drilling hex screws
- (48)  $\frac{1}{4}$ " fender washers

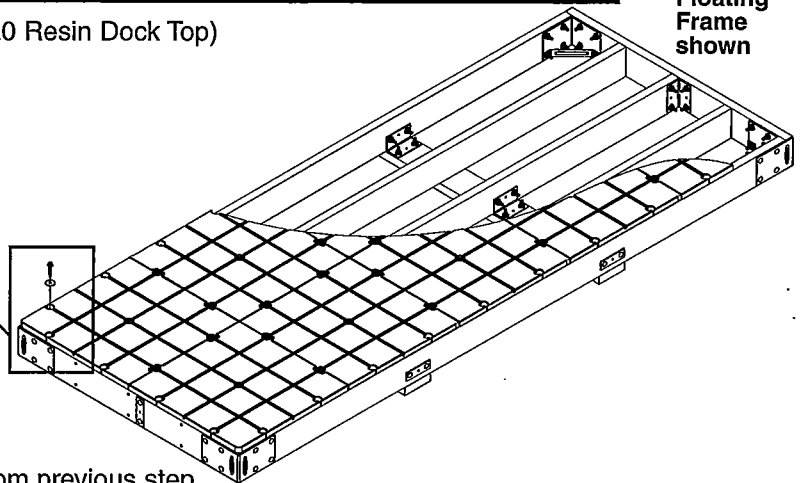
Position the two assembled halves together and center on the frame as shown.

Beginning with the exterior holes, secure with  $\frac{1}{4}$ " x  $1\frac{1}{2}$ " self drilling hex screws and fender washers.

**Do not over tighten**



Floating  
Frame  
shown



Once Dock Top is secure, tighten all hex bolts from previous step.



Check contents of all packages before proceeding with construction. If you are missing or need replacement parts, DO NOT RETURN TO RETAILER. Call PlayStar, Inc., at 1-888-PLAYSTAR (752-9782). Your parts will be shipped immediately.