

Play Action®

PLAYSTAR®

Air Rider™

Assembly Instructions



Important!

Intended for residential use by children ages 2 to 10, only on properly installed PlayStar playsets. Before use refer to complete safety guidelines in your original playset, at www.playstarinc.com, or at 1-888-752-9782.

Warning!

No more than two children should be allowed on this accessory at one time, with a maximum weight of **105 pounds** for each child.

We're Here To Help!

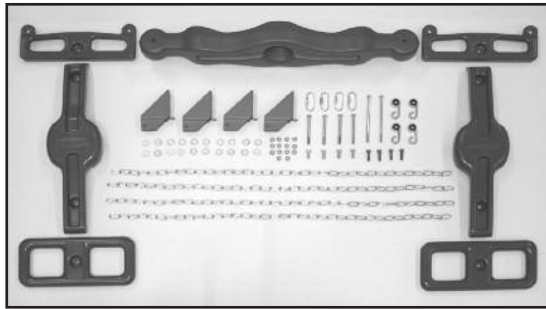
Call Toll Free **1-888-752-9782**
Customer Service: Monday - Friday, 8:00 A.M. to 5:00 P.M. C.S.T.

PS 7958

CONTENTS

Air Rider Kit Contains:

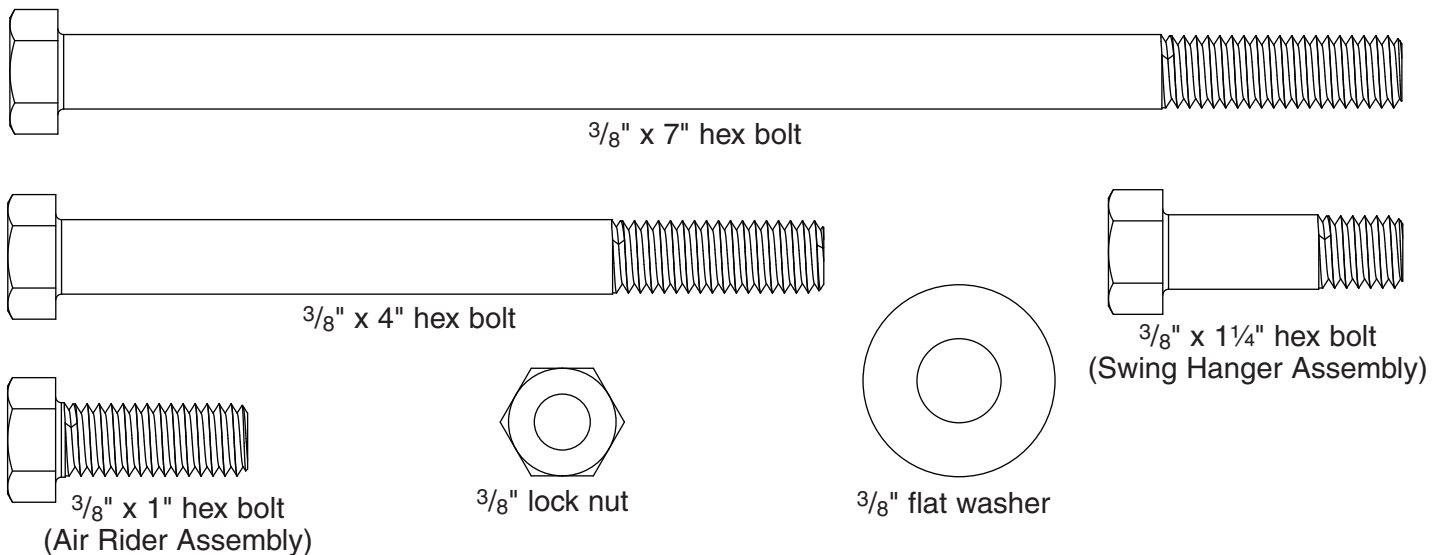
- (1) Air Rider
- (4) Welded-Link Chains
- (1) Swing Hanger Assembly System
- (1) Bracket System
- Weather-Resistant Hardware
- Complete Illustrated Instructions



TOOLS REQUIRED

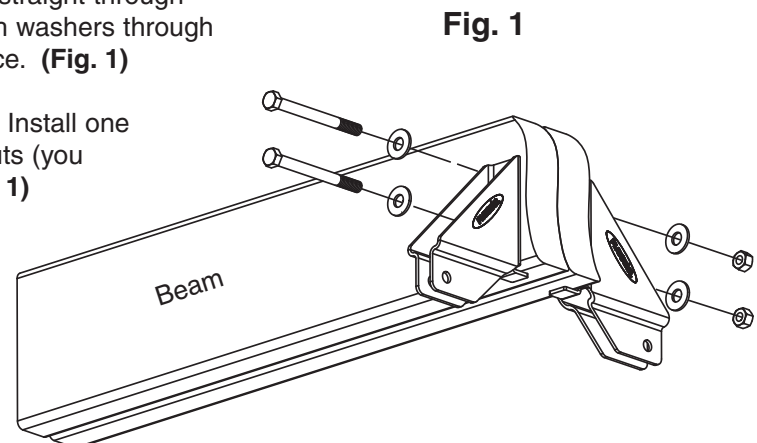
- | | |
|-----------------------------|----------------|
| Socket Wrench and Extension | Square Hammer |
| 9/16" Socket | 3/8" Drill Bit |
| 9/16" or Adjustable Wrench | Hack Saw |
| Tape Measure | Metal File |
| Safety Glasses | Pencil |
| Drill | Ladder |

HARDWARE INCLUDED (shown actual size)

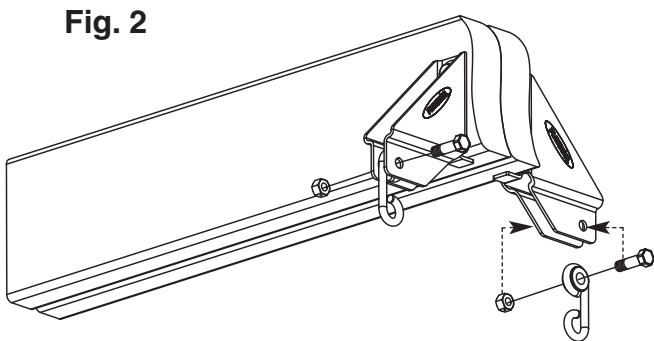


SWING HANGER ASSEMBLY

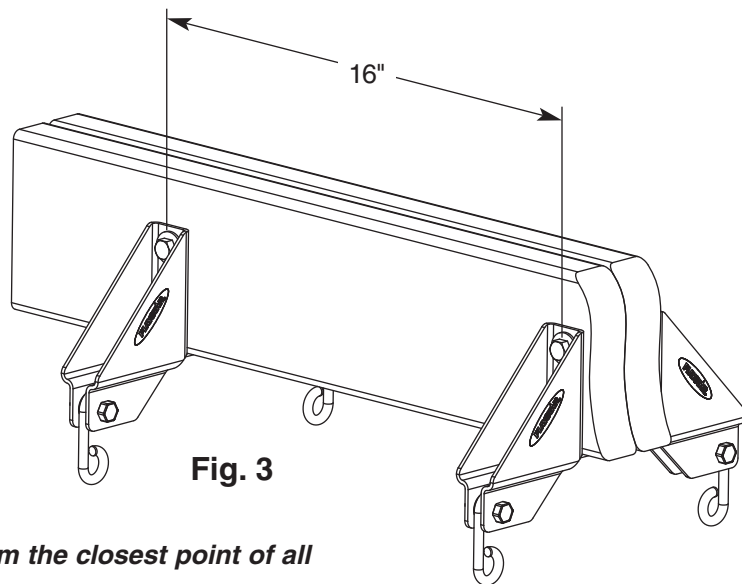
1. Position one bracket on the beam, at least 10" away from the closest point of all other rides or stationary objects. Make sure the alignment tab is flush with the bottom of the beam as shown. Using the bracket as a guide, drill two 3/8" holes straight through the beam. Install two 3/8" x 4" hex head bolts with washers through the bracket and beam to hold the bracket in place. **(Fig. 1)**
2. Slide the second bracket in place over the bolts. Install one washer and lock nut on each bolt and tighten nuts (you will need a socket extension for this step). **(Fig. 1)**



3. Install swing hangers to bracket using $\frac{3}{8}$ " x $1\frac{1}{4}$ " hex head bolts and lock nuts as shown. Tighten with $\frac{9}{16}$ " wrench and socket wrench. (Fig. 2)



4. Mark over 16" from center of bolts. Repeat Steps 1 through 3 for the second assembly. (Fig. 3)

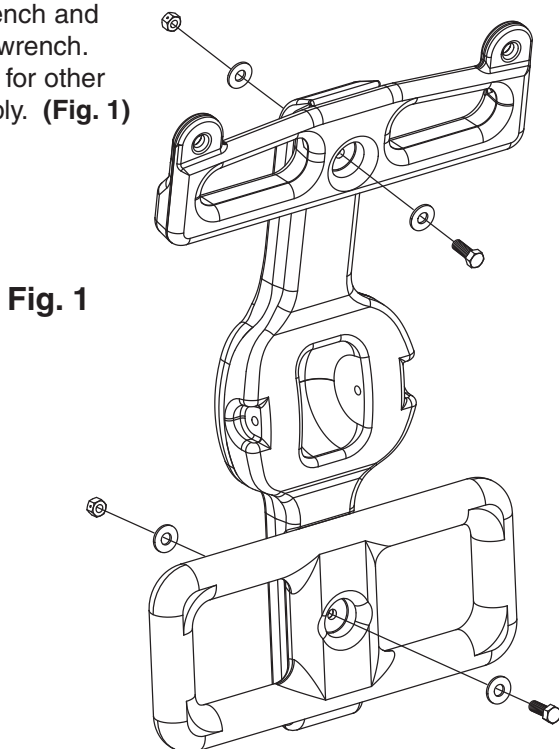


Caution: At least 10" minimum spacing is required from the closest point of all other rides or stationary objects.

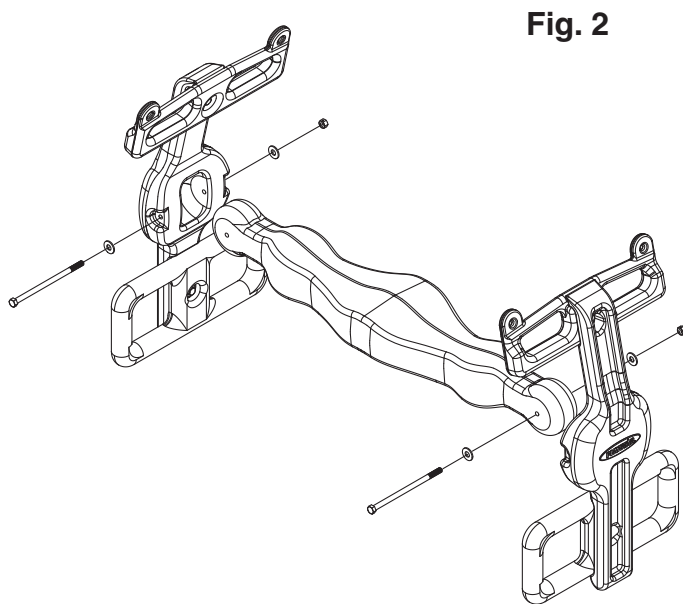
Caution: Cut off all protruding threaded ends of bolts with a hack saw flush to the end of the nut and remove sharp edges with a metal file.

AIR RIDER ASSEMBLY

1. Connect handle to pivot arm using $\frac{3}{8}$ " x 1" hex head bolt, two washers, and lock nut as shown. Tighten with $\frac{9}{16}$ " wrench and socket wrench. Repeat for other assembly. (Fig. 1)
2. Connect footrest to pivot arm using $\frac{3}{8}$ " x 1" hex head bolt, two washers, and lock nut as shown. Tighten with $\frac{9}{16}$ " wrench and socket wrench. Repeat for other assembly. (Fig. 1)



3. Connect seat to pivot arm using $\frac{3}{8}$ " x 7" hex head bolt, two washers and lock nut as shown. Tighten with $\frac{9}{16}$ " wrench and socket wrench. Repeat for other end. (Fig. 2)



4. Connect a length of chain to each hanger of handle using one quick-link. Tighten with adjustable wrench. **(Fig. 3)**

Caution: *Failure to tighten quick-links securely could result in injury.*

5. Lift Air Rider into position and hook chains onto the swing hangers **(Fig. 3)**

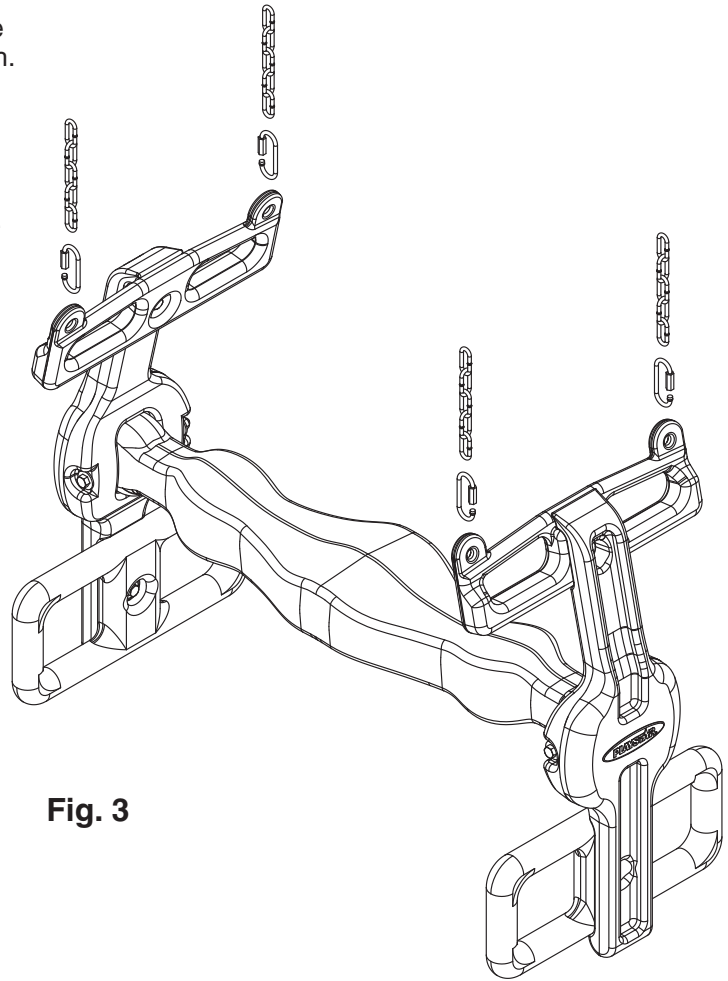


Fig. 3



Thank You for choosing PlayStar's Play Action Air Rider. Because it is our intention to make this a positive family experience, we have taken great care in preparing this product. Should you have any questions, or if we can assist you in any way, please call our friendly Customer Service Department for immediate action.

Do not return to the store.

Please call us Toll Free at 1-888-PLAYSTAR
(752-9782)

Monday through Friday, 8:00 A.M. to 5:00 P.M. C.S.T.

Ask for Customer Service.

We Will Gladly Help!



PlayStar, Incorporated, Janesville, WI 53547