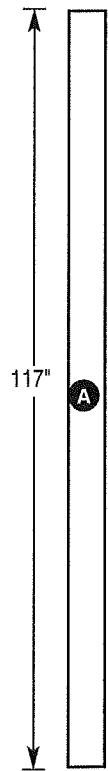
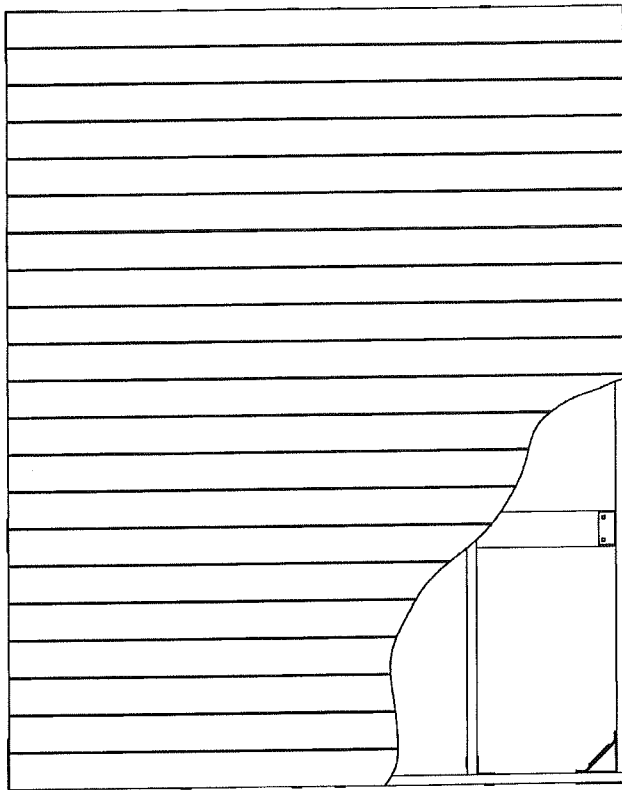
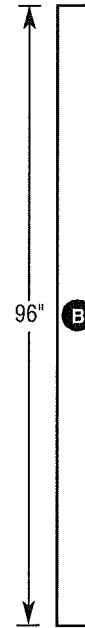


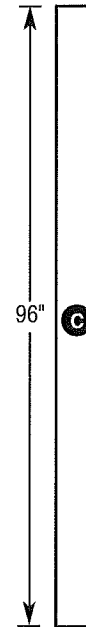
8' x 10' Floating Dock Section



Board A
6 Pc's Req.
2" x 6" x 117"



Board B
4 Pc's Req.
2" x 6" x 96"



Board C
21 Pc's Req.
5/4" x 6" x 96"
Deck Board

Bill of Materials:

- 1 PS 1005 CG Dock Kit
- 16 PS 1015 CG Joist Corner Bracket
- 24 PS 1017 CG Back Plate
- 5 PS 1135 Frame Hardware Package
- 363 #8 X 2 1/2" Galv. Deck Screws (3 lb.)
- 6 PS 1155 Floats
- 2 PS 1145 float Hardware Package
- 4 2" x 6" x 8' Boards
- 6 2" x 6" x 12' Boards
- 21 5/4" x 6" x 8' Deck Boards
- 8 3/8" x 4" Carriage Bolts

Tools Needed to Complete This Project:

- Safety Glasses
- Measuring Tape
- Carpenter's Square
- 1/8" and 3/8" Drill Bits
- #2 Phillips Screwdriver
- 3/16" Socket and Ratchet
- Ratchet Extension
- Pencil
- Hammer
- Saw
- Drill
- 2 Clamps

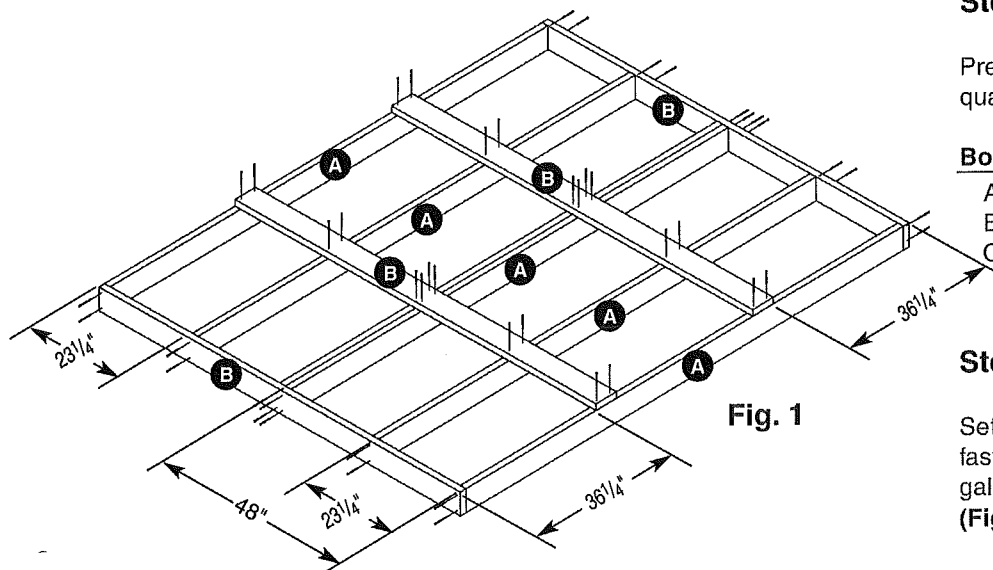


Fig. 1

Step #1

Precut Boards to proper length and quantity.

Board	Quantity	Size
A	6	2" x 6" x 117"
B	4	2" x 6" x 96"
C	21	5/4" x 6" x 96"

Step #2

Set the precut boards on edge and fasten together with two #8 x 2 1/2" galvanized deck screws as shown. (Fig. 1)

Step #3

To install the galvanized brackets, use a c-clamp to clamp outside corner bracket in place centering bracket on the board as shown. (Fig. 2)

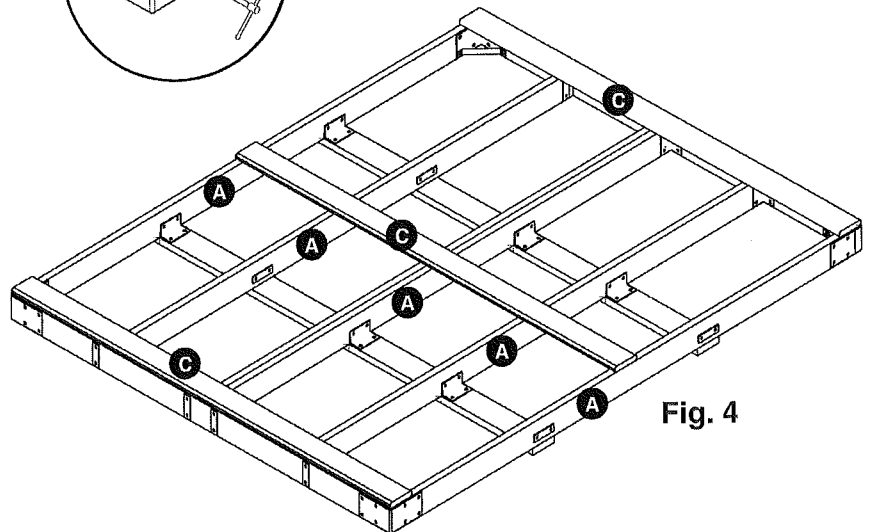
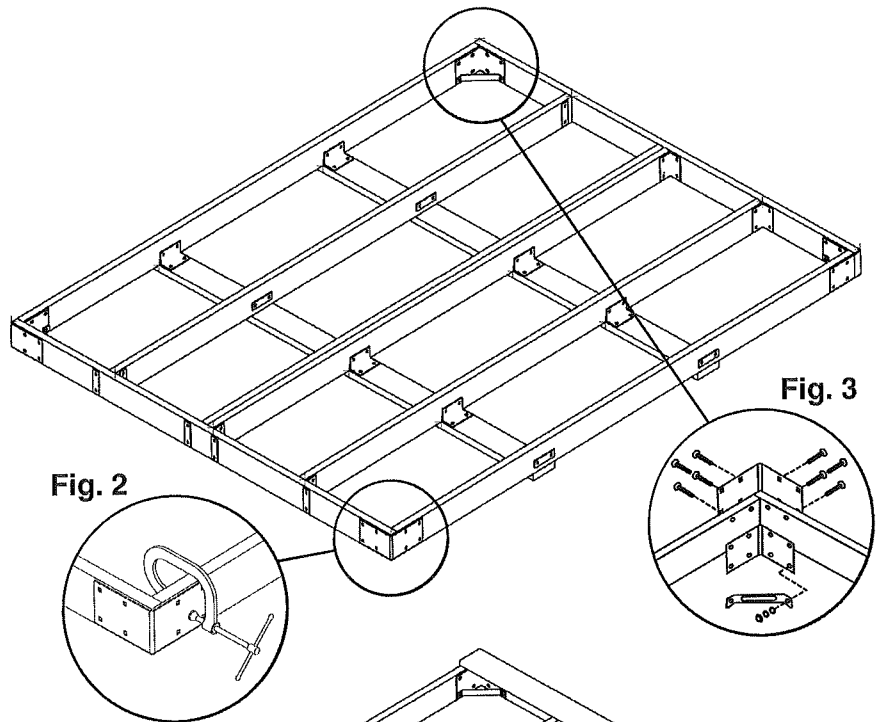
After you have the corner clamped in place use a $\frac{3}{8}$ " drill with a $\frac{3}{8}$ " drill bit and drill all holes.

Follow a similar procedure for all the the Frame Support Kits.

Note: Refer to your specific project for location of Hinge Kits and Pipe Sleeves which need to be installed at this time.

Once the drilling is complete fasten the rest of the hardware using $\frac{3}{8}$ " x 3" carriage bolts, $\frac{3}{8}$ " flat washer, $\frac{3}{8}$ " lock washer and $\frac{3}{8}$ " nut as shown (don't tighten the bolts until you have all the bolts in the frame). (Fig. 3)

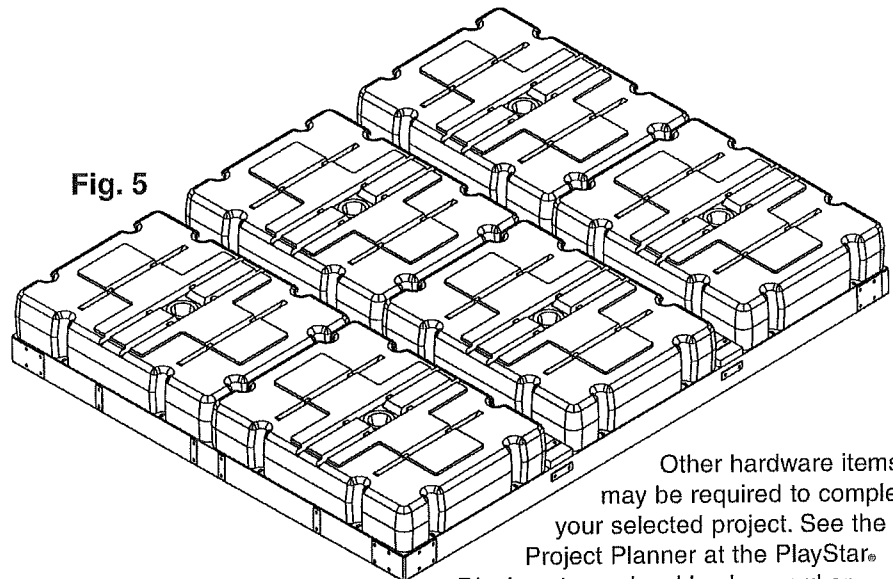
Before you tighten the bolts once again make sure the frame is square.



Step #4

Place one "C" board at each end and one "C" board in the center of the frame as shown in. Fasten them in place using three #8 x 2 $\frac{1}{2}$ " galvanized deck screws in line with each "A" board. (Fig. 4)

Take the other eighteen "C" boards and place nine evenly spaced on each side of the center board and fasten using fifteen #8 x 2 $\frac{1}{2}$ " galvanized deck screws.



Step #5

After all 5/4" deck boards "C" are in place flip the dock over on it's top and install the Floats using the Float Hardware Kit PS 1145. (Fig. 5)

Other hardware items may be required to complete your selected project. See the Project Planner at the PlayStar® Display at your local lumber yard or building center that sells and displays PlayStar® Floating Dock Systems.